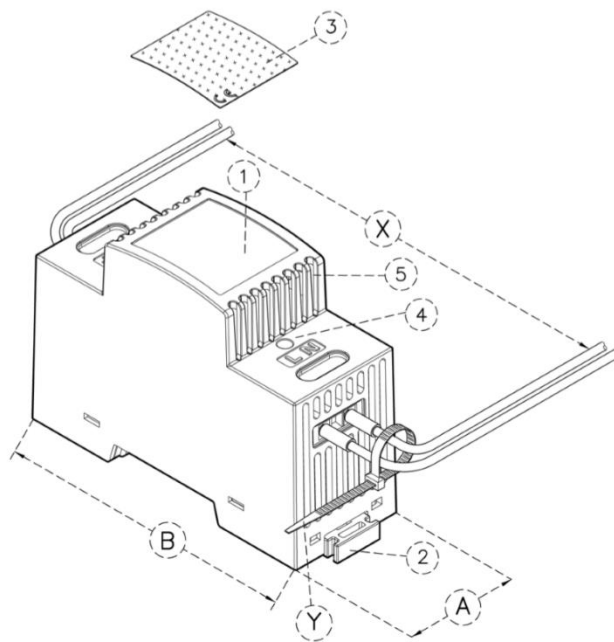




POWER SUPPLY PSM2/18.12



DIN RAIL POWER SUPPLY 12-14VDC / 1,5A

Technical and functional characteristics

- These power supplies are designed according to the flyback converter principle. The output voltage remains at mains voltage fluctuations and at load variations within a tolerance of $\pm 3\%$.
- No minimum load required. The equipment starts regularly in all the rated input ranges with zero load on the output, while maintaining the output voltage within 0,5 % of the rated output voltage.
- No Hiccup-mode during overload or short circuit. The equipment works regularly in constant current mode ...during overload up to full short circuit. This condition can be maintained indefinitely without any damage or performance degradation. This feature helps starting loads with high inrush current or great capacitive load.
- High stability (high open loop bandwidth and phase margin). This feature shows the very good action of the equipment with rapidly changing load (from zero to max load and vice versa) and during start up, without ringing and overshoot.
- Operating-condition signalling. On all our products a led provides the optical indication of the output voltage: good operation, overload condition, short circuit condition.

Continuous input voltage. These power supplies also accept a continuous input voltage:

- from 280Vdc to 350Vdc for models with 230Vac input voltage
- from 130Vdc to 350Vdc for « full range » models (100-240Vac)



TECHNICAL DATA SHEET

- Safety Standard EN60950 – UL508
- EMC Standard EN55022/B - EN61000-4
- CE European Directives CE 2006/95/ECC - 89/336
- Degree of protection IP 20
- Service condition Continuous
- MTBF (MIL HDBK217) ~ 100'000 h
- Service condition -10°C / +50°C
- Relative humidity (non-condensing) 5% ÷ 90%
- Nominal input voltage 90 – 260 Vac
- Nominal frequency 48-63 Hz
- No load input power 0,4 – 0,5 W
- Nominal output voltage 12 Vdc
- Output voltage precision ±3 %
- Adjustable output voltage 12-14 Vdc
- Nominal output current 1,5A
- Nominal power 18W
- Limitation current 1,9A
- Short circuit current 2,5A
- Efficiency 80-85%
- Minimum Load 0 A
- Overload / Short circuit / Over voltage protection Electronic
- Operating LED
- Housing DIN rail 2TE
- Colour grey RAL 7035

Art.-No. 35421 EUR/piece without VAT 72,-

Suitable for

EIBPORT, CUBEVISIONMODULE, DATA LOGGER, KNXCONVERTER, EIBNODE, DUODMX GATEWAY, AUDIOMODULE LINE, APPMODULE, LINKMODULE, ELMMODULE

ACCESSORIES

35411 Accumulator ADP9 / 12V4Ah

Accumulator for emergency power supply of the eibPort for min. 6.5h at load of 5W.

Art.-No. 35411 EUR / piece without VAT 149,-